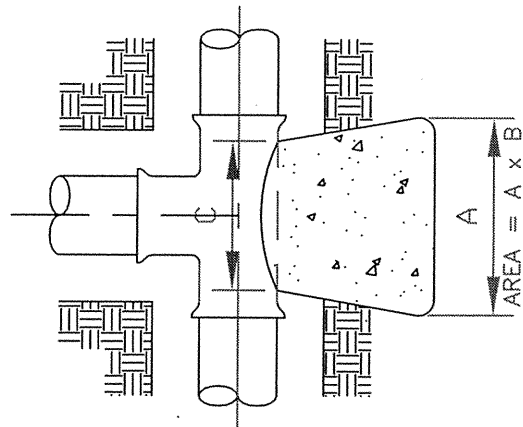
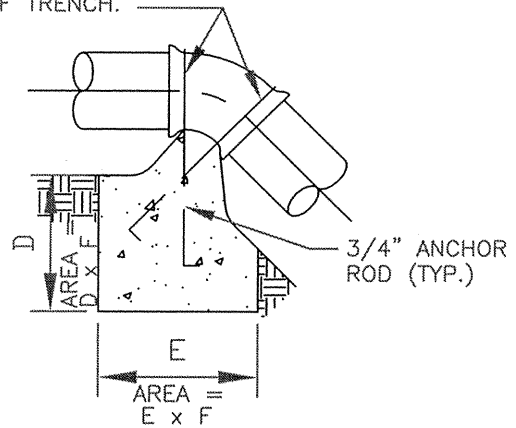


90 BEND

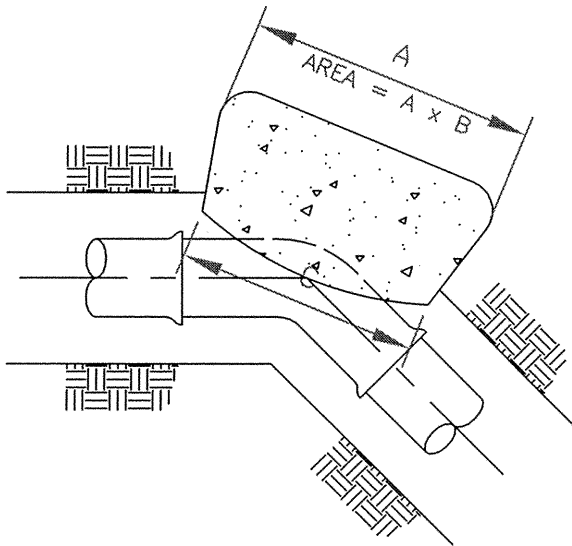


TEE

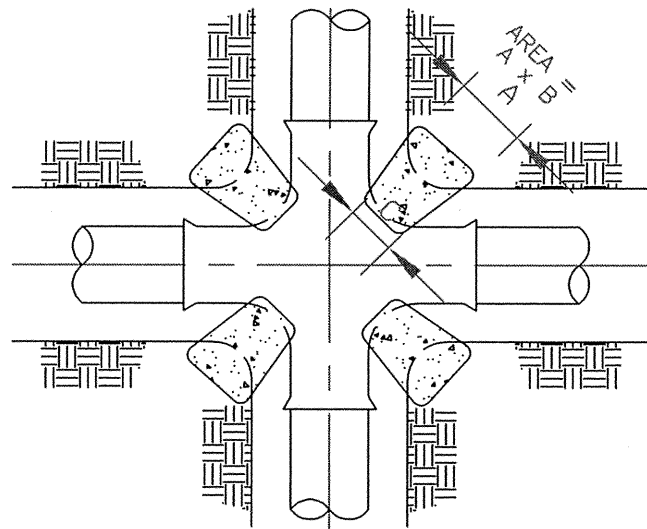
EXPOSED PORTION OF RE-BARS SHALL BE FIELD COATED W/TAR TO PREVENT CORROSION. MAKE BLOCK FULL WIDTH OF TRENCH.



VERTICAL BEND



BEND



CROSS

NOTE:

- 1) B = DEPTH
- 2) SEE SHEET 2 FOR THRUST BLOCK SCHEDULE AND NOTES.

CITY OF LOMITA – PUBLIC WORKS DEPARTMENT

DATE ISSUED
SEPT 1, 2007
DRAWN BY:
SHIVDEV S. BRAR
DATE:
AUG 14, 2007

CONCRETE THRUST BLOCK [4" TO 16" DIA FITTING]

WENDELL E. JOHNSON,
CITY ENGINEER
CERTIFICATION NO. C 66340

STANDARD NO.

W-140

SHEET 1 OF 1