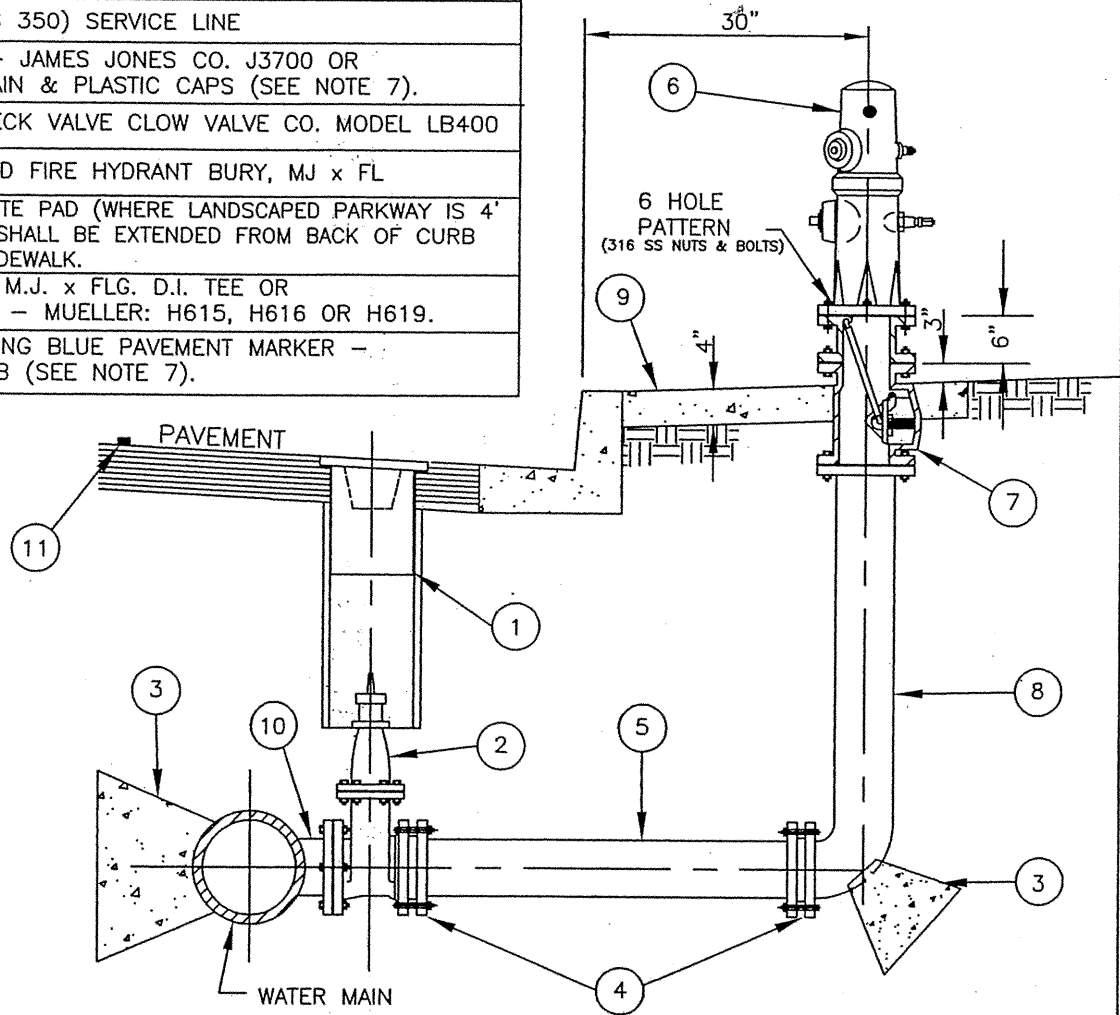


ITEM	MATERIALS
①	VALVE BOX ASSEMBLY PER T712.
②	6" VALVE MUELLER NO. A-2360-16 W/EVERDUR STEM & SS 316 FASTENERS W/2" NUT & NRS OPENING CCW.
③	CONCRETE THRUST BLOCK PER T713.
④	RESTRAINED JOINTS
⑤	6" D.I.P. (CLASS 350) SERVICE LINE
⑥	FIRE HYDRANT - JAMES JONES CO. J3700 OR J3765 WITH CHAIN & PLASTIC CAPS (SEE NOTE 7).
⑦	BREAK-OFF CHECK VALVE CLOW VALVE CO. MODEL LB400
⑧	6" CEMENT LINED FIRE HYDRANT BURY, MJ x FL
⑨	4'x4'x4" CONCRETE PAD (WHERE LANDSCAPED PARKWAY IS 4' WIDE, PCC PAD SHALL BE EXTENDED FROM BACK OF CURB TO FRONT OF SIDEWALK).
⑩	MAIN SIZE x 6" M.J. x FLG. D.I. TEE OR TAPPING SLEEVE - MUELLER: H615, H616 OR H619.
⑪	2-WAY REFLECTING BLUE PAVEMENT MARKER - STIMSONITE 88AB (SEE NOTE 7).



**NOTES:**

- SERVICE LINE SHALL BE INSTALLED LEVEL WITH MAINLINE UNLESS SHOWN OTHERWISE ON PLAN.
- ALL UNDERGROUND FERROUS SURFACES SHALL BE PROTECTED IN ACCORDANCE WITH THE SPECIFICATIONS. ALL FLG. BOLTS AND NUTS SHALL BE 316 STAINLESS STEEL UNLESS OTHERWISE SPECIFIED.
- ALL PARTS OF THE FACILITY ABOVE GROUND SHALL BE PAINTED IN ACCORDANCE WITH THE SPECIFICATIONS. COLOR OF HYDRANT SHALL BE "RUSTOLEUM" 76-44 SAFETY YELLOW.
- FIRE HYDRANTS SHALL BE LOCATED 5 FEET MIN. FROM DRIVEWAYS OR OTHER OBSTRUCTIONS. NO FIRE HYDRANTS SHALL BE LOCATED IN THE CURB RADIUS.
- ALL BURIED PIPE, VALVES, FITTING ETC... SHALL BE WRAPPED IN 8MIL POLYETHYLENE, IN ACCORDANCE WITH THE SPECIFICATIONS.
- USE J3765 IN COMMERCIAL OR INDUSTRIAL AREAS AND ALONG MAJOR STREETS.
- PLACE MARKERS SIX INCHES FROM CENTER OF ROADWAY OR PAINTED CENTERLINE ON SIDE NEAREST THE HYDRANT.

ACCOMPANYING STD'S W-300, W-121, W-103 AND W-140

CITY OF LOMITA - PUBLIC WORKS DEPARTMENT

DATE ISSUED SEPT 1, 2007	TYPICAL FIRE HYDRANT INSTALLATION FOR NON-LOCAL STREETS OR HIGH PRESSURE ZONE	STANDARD NO. W-111
DRAWN BY: SHIVDEV S. BRAR	WENDELL E. JOHNSON, CITY ENGINEER.	SHEET 1 OF 1
DATE: AUG 14, 2007	CERTIFICATION NO. C 66340	