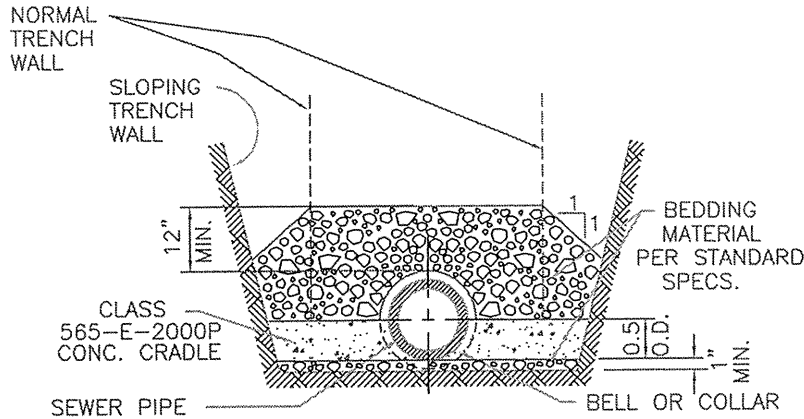


CASE 1: NORMAL TRENCH

CASE 2: WET, SPONGY GROUND, FILLED GROUND (LESS THAN 90% COMPACTION)

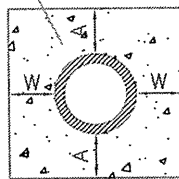


CASE 3: BOTTOM TRENCH WIDTH EXCEEDS THE WIDTH SPECIFIED IN STD. SPECIFICATIONS

NOTE: NATIVE MATERIAL IS UNSUITABLE FOR BEDDING OF 8" OR LARGER PIPES.

### CONCRETE REINFORCEMENT FOR SEWER PIPE

CLASS 565-E-2000P CONC. REINFORCEMENT

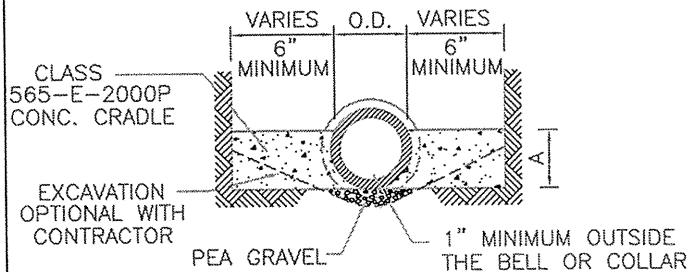


TYPE "X"

TABLES BELOW INDICATE DIMENSIONS OF CONCRETE FOR DIFFERENT SIZES OF PIPE

TYPE "X"						
SIZE	W	A	CLAY PIPE		CONCRETE PIPE	
			STANDARD STRENGTH	EXTRA STRENGTH	STANDARD STRENGTH	EXTRA STRENGTH
6"	4"	4"	0.051	0.051	0.050	0.050
8"	4"	4"	0.063	0.063	0.063	0.063
10"	4"	4"	0.074	0.074	0.074	0.074
12"	4"	4"	0.086	0.086	0.086	0.091
15"	4"	4"	0.107	0.108	0.107	0.114
18"	5"	5"	0.158	0.166	0.159	0.171

SEE NOTE



TYPE "Z"

CONCRETE REINFORCEMENT MUST EXTEND TO SOLID BANK

TYPE "Z"					
SIZE	A	CLAY PIPE		CONCRETE PIPE	
		STANDARD STRENGTH	EXTRA STRENGTH	STANDARD STRENGTH	EXTRA STRENGTH
6"	5"	0.017	0.017	0.017	0.017
8"	7"	0.024	0.024	0.024	0.024
10"	9"	0.032	0.032	0.032	0.032
12"	10"	0.037	0.037	0.037	0.037
15"	13"	0.050	0.050	0.050	0.050
18"	16"	0.063	0.064	0.063	0.064

SEE NOTE

NOTE: COLUMNS INCLUDED BETWEEN ARROWS IN THE TABLES ABOVE INDICATE CUBIC YARDS OF CONCRETE PER LINEAR FT. OF PIPE.

### CITY OF LOMITA - PUBLIC WORKS DEPARTMENT

DATE ISSUED	BEDDING FOR SEWER PIPE	STANDARD NO.
SEPT 1, 2007		S-104
DATE: AUG 21, 2007	WENDELL E. JOHNSON, CITY ENGINEER CERTIFICATION NO. C 66340	SHEET 1 OF 1