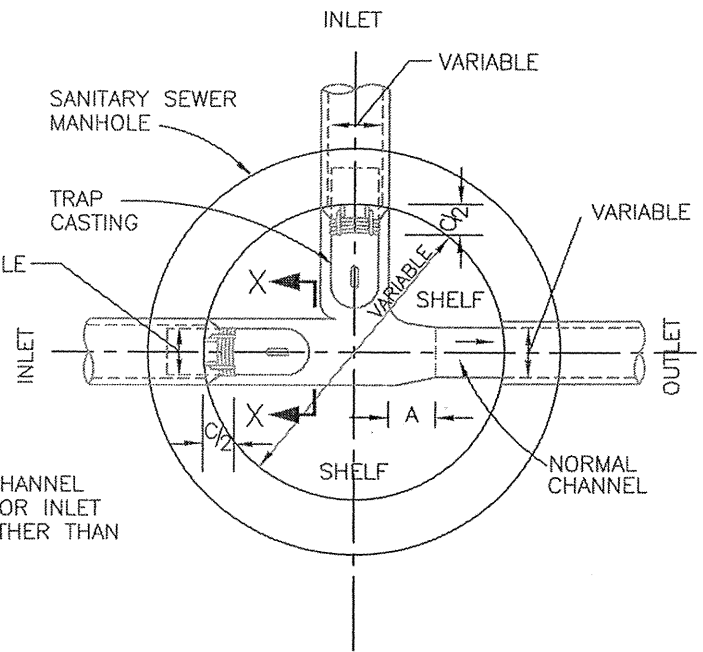
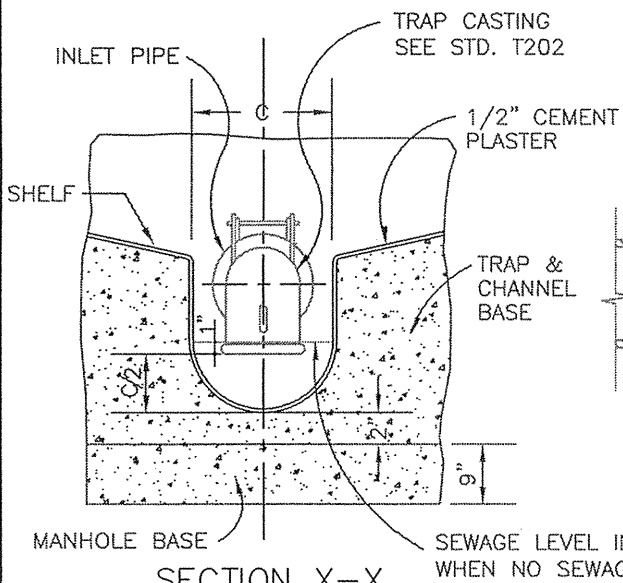


PLAN
SINGLE TRAP BASE

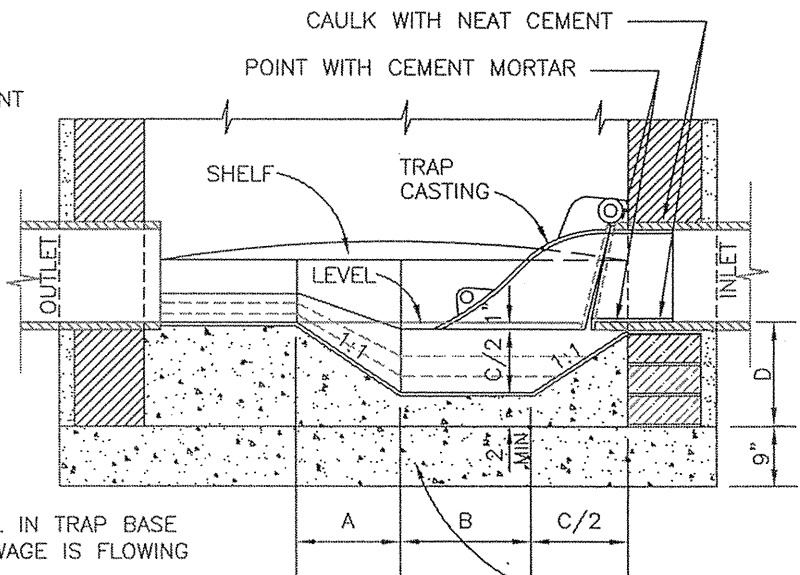


PLAN
DOUBLE TRAP BASE

ALTERNATE CHANNEL ALIGNMENT FOR INLET & OUTLET OTHER THAN 180° APART.



SECTION X-X
SINGLE TRAP BASES



SECTION Y-Y

TRAP DIMENSIONS

INLET DIAM.	A	B	C	D MIN
8"	6 1/2'	11 1/2"	11"	8"
10"	7 1/2'	14 1/2"	13"	9"
12"	8 1/2'	16 1/2"	15"	10"

DIAM. OF TRAP BASE

INLET DIAM.	OUTLET DIAM.		
	8"	10"	12"
8"	4'	4'	4'
10"		4'	4'
12"			5'

NOTES:

- WHERE A TRAP IS NECESSARY IN AN EXISTING STRUCTURE, BREAK OUT CONCRETE AND CONSTRUCT NEW BASE.
- WHERE 5' DIAMETER BASE IS REQUIRED, MANHOLE SHALL BE CONSTRUCTED 5' IN DIAMETER FROM BASE TO LOWER LIMIT OF CONE. CONE SHALL BE 5' IN HEIGHT.

CITY OF LOMITA - PUBLIC WORKS DEPARTMENT

DATE ISSUED

SEPT 1, 2007

DATE:
AUG 21, 2007

TRAP MANHOLE BASE

WENDELL E. JOHNSON,
CITY ENGINEER
CERTIFICATION NO. C 66340

STANDARD NO.

S-101

SHEET 1 OF 1